

ZC Surface Mounting Frame for MPV & PV Vents

FEATURES:

- 90% Free Vent Area
- Two Way Venting
- Steel Welded Construction
- Life Time Guaranty
- Third Party Tested
- Certified Compliance
- Simple to Install
- Conforms to FIA guidance
- Fast Delivery on standard sizes
- Made in the UK

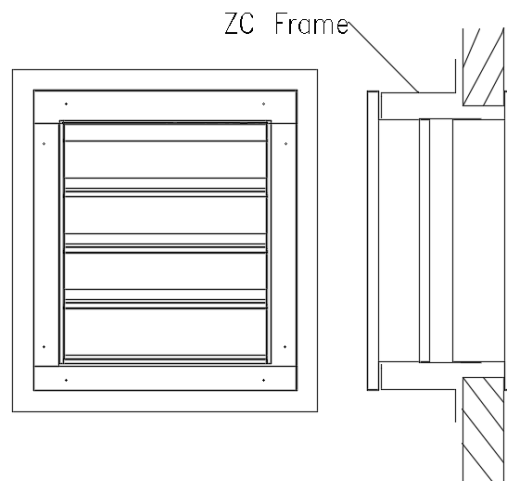


THE ZC Frame - Pressure Vent Surface Mounting Frame

The new High-Pro Range of Pressure Relief Vents are designed to fit into walls and doors from 1mm to 380mm. This is achieved by cutting down the outer wall sleeve of the vent to suite a thin wall or door.

If the pressure vent is to be fitted to an outside wall or door and the Dynamic Louvre is required a ZC frame will be required to allow the pressure vent to be fitted on the internal surface of the door or wall and then allow the Louvre to be fitted to the external face of the structure using the outer wall sleeve

Special colours are available in request.



LinkedIn

Find us on:
facebook